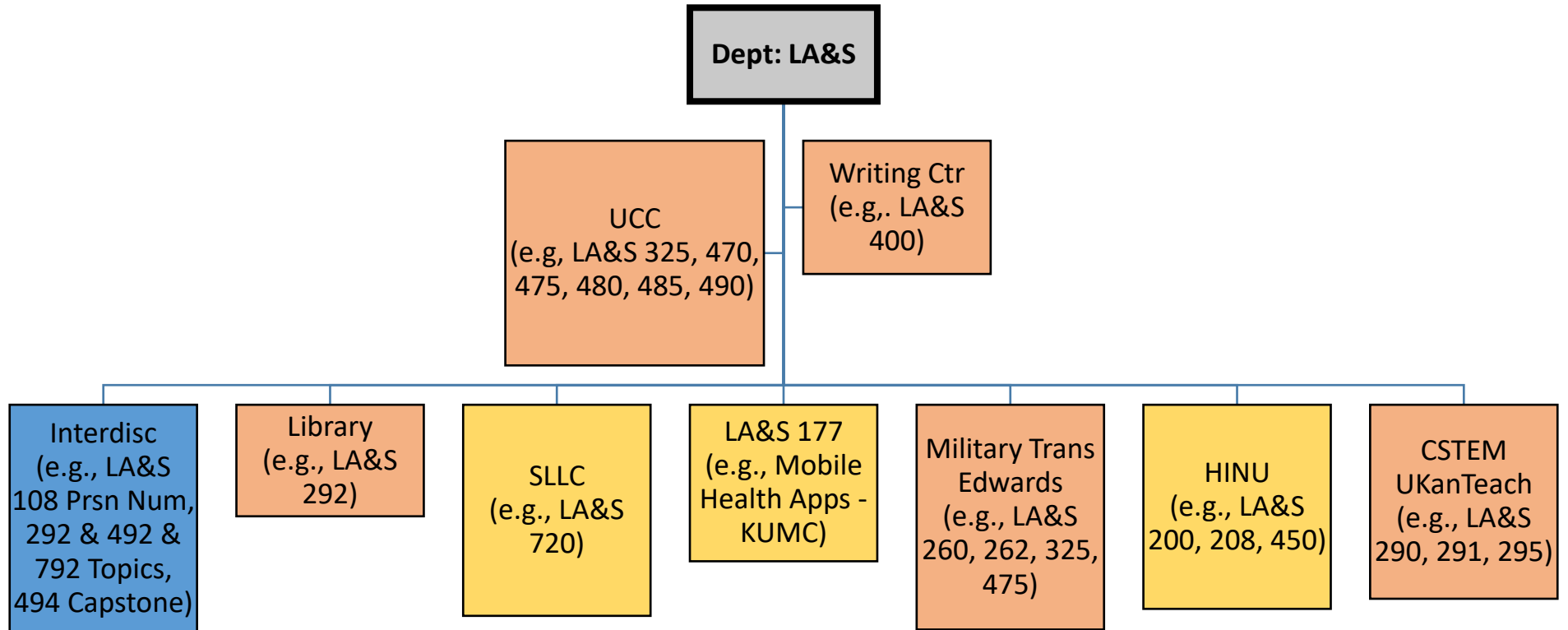


**Recently Offered LA&S Classes**  
 Determined by searching classes.ku.edu SPR 2017-19  
 See end of document for full titles and descriptions



Orange = non-academic unit that wants to offer classes

Yellow = academic unit that is not an “academic home” (in Lawrence)

Blue = interdisciplinary – doesn’t fit within one existing academic unit or an easy cross-listing, sometimes offered by a non-academic unit (i.e., a “orange” unit). This might also include offerings where the home unit doesn’t have an appropriate listing (e.g., doesn’t have their own topics course)

**Recent topics classes (292, 492, 792)**

- Haitian Culture (may have used LA&S because there wasn’t an appropriate 200-level topics course in the sponsoring department)
- Life Skills Training (Athletics)
- Research Methods & Info Literacy (Libraries)
- Hawk Link
- Applying to Med School (UAC – an updated version of this is likely forthcoming via a new course proposal from UCC this semester or next semester)
- Culture of the British Isles (a non-honors enrollment to complement the HNRS section)
- How to apply to Grad School (IMSD/grant-related)

- STEM Professional Development (Joy Ward, possibly tied to a grant?)
- Managing Research Data in the Social Sciences (IPSR)
- NOTE: New topics are supposed to be vetted through the CUSA curricular changes subcommittee. The Registrar usually highlights when a new topic is scheduled to trigger the vetting but this trigger may have been lost in recent staff changes. Karen is checking on re-affirming this procedure.

#### ***Oversight structure of existing classes***

- Orange & yellow – there is a unit that oversees the course – sometimes an academic (yellow) unit but sometimes not (orange)
- Blue – varies
  - Non-academic unit oversight (athletics, libraries, UAC, IPSR), similar to orange courses
  - Multiple academic units that may have some type of coordination (e.g., grant funded initiatives – IMSD)
  - Departmental home but needs a broader listing (494 capstone is managed by HUM)
  - Oversight by CLAS only (LA&S 108)

#### **Degree Programs with CLAS as “Department”**

- BGS Liberal Arts & Sciences (overseen by College Online)
- Undergraduate certificate in military transition (joint between Graduate Military Programs, Edwards, and UCC)
- ASL undergrad and grad (overseen by degree-specific curriculum committee & SLLC/Edwards)
- MA in DEI & Leadership (overseen by degree-specific curriculum committee)

#### ***Oversight structure for existing programs***

- Typically some type of coordinating committee is put in place to oversee the program

## CLAS Course Catalog

---

### **LA&S 101. Learning Communities Seminar in: \_\_\_\_\_. 1-2 Hours U.**

This course is designed to expand student's knowledge of the University community by exploring an academic theme and the connections between courses. Through the study of different topics students explore the inherent relationships among fields of study. Designed especially for freshmen and sophomores. Enrollment is limited to students participating in designated learning community. Concurrent enrollment in specified learning community courses is required. May be repeated for credit up to 4 hours if topic varies. SEM.

### **LA&S 108. Personal Numeracy. 3 Hours NM GE12.**

This course will provide the tools to help you understand and make decisions using data. You will learn the basics of human decision making and why relying on numerical data is an important component of good decisions. The class will also help you understand the basics of probability and statistics. This will include fundamental statistical concepts used in everyday decision-making as well as training to perform statistical tests. The class will conclude with applications of numeracy to make sound personal financial decisions regarding spending and borrowing and saving and investing. Throughout the course, you will learn to use Excel to perform calculations, analyze data and spending habits and develop a personal budget. LEC.

### **LA&S 110. Cherokee Language I. 5 Hours U / F1.**

Emphasizes the vocabulary of and fundamentals of reading and writing the Cherokee language. Students will have an opportunity to learn the language, beliefs, and religious practices of the Cherokee. Taught at Haskell Indian Nations University. LEC.

### **LA&S 120. Cherokee Language II. 5 Hours U / F2.**

Continuation of Cherokee Language I. Includes an intermediate level of vocabulary skill with increased emphasis on reading and writing. Taught at Haskell Indian Nations University. Prerequisite: [LA&S 110](#). LEC.

### **LA&S 150. Academic Success Seminar. 1 Hour U.**

This course provides students with the skills and resources necessary to improve their approach to their academic career. It is designed to help enhance students' time management and study skills as well as facilitate a connection with student success resources. Students and instructors work together in an interactive learning environment to create an academic foundation for success. Additional topics covered include: test preparation and anxiety; reading comprehension; procrastination; and memory and concentration. Recommended for students with less than a 2.5 GPA. LEC.

### **LA&S 160. Dean's Scholars Program Seminar. 0.5-3 Hours U.**

An enhancement of communication, time management, and leadership skills. The students will explore resources and determine goals pertinent to their objectives regarding graduate school. Restricted to students in the Dean's Scholars Program. LEC.

### **LA&S 177. First Year Seminar: \_\_\_\_\_. 3 Hours GE11 / U.**

A limited-enrollment, seminar course for first-time freshmen, organized around current issues in liberal arts and sciences. First year seminar topics are coordinated and approved through the Office of First Year Experiences. Prerequisite: First-time freshman status. LEC.

**LA&S 200. Topics at HINU: \_\_\_\_\_. 1-6 Hours U.**

Special topics at the undergraduate level. Taught at Haskell Indian Nations University. Special permission from the Provost's Office required. LEC.

**LA&S 202. History of North American Indian Tribes. 3 Hours NW / H.**

Introductory survey of the origin, evolution, and distribution of Indians throughout North America, location of tribes in historic times, their relationships to one another, and their responses to white penetration of the continent. Emphasis on American Indian leadership and major contributions of American Indian people to American society. Taught at Haskell Indian Nations University. LEC.

**LA&S 204. Contemporary Issues of the American Indian. 3 Hours H.**

An overview of current and historical issues which have resulted in policies and regulations affecting American Indians and Alaska Natives. The issues include: education, treaties, sovereignty and self-determination, religions, natural resources, legislation, jurisdiction, reservation and/or urban status, federal trust relationship, tribal economics and enterprises, American Indian policy, federal recognition, and current issues both regional and local. Taught at Haskell Indian Nations University. LEC.

**LA&S 206. Indian Law and Legislation. 3 Hours S.**

An introduction and general overview of federal Indian law and processes and its relationship to tribal governments. Focus will be on sovereignty and its relationship to the internal and domestic laws of the United States government, tribal governments, and the international community. Taught at Haskell Indian Nations University. LEC.

**LA&S 208. Tribal/Federal Government Relations. 3 Hours S.**

An introductory study of the special relationship that exists between the federal government and tribal governments. Included will be a general overview of specific programs, laws, and court decisions that address the unique relationship that exists between two sovereign nations; the United States Government and tribal governments. Taught at Haskell Indian Nations University. LEC.

**LA&S 210. Tribal Resources and Economic Development. 3 Hours S.**

Inventory and identify the resources currently available to tribal governments to include natural and human resources and those financial resources available to tribal governments from federal, state, and private resources. Included will be an economic analysis on how to best optimize available resources while recognizing the economic concept of constrained maximization. Taught at Haskell Indian Nations University. LEC.

**LA&S 212. Chemical Dependency and the Native American. 3 Hours S.**

Examines the continuum of chemical abuse and dependency and the emotional, physical, intellectual, and spiritual effects of addictions on individuals, families, and communities. In addition, treatment approaches and relapse prevention efforts are discussed. Special emphasis is placed on integrating Native American understandings and responses to chemical addictions. Taught at Haskell Indian Nations University. LEC.

**LA&S 230. Cherokee Language III. 5 Hours U / F3.**

Continuation of Cherokee language II. Taught at Haskell Indian Nations University. Prerequisite: [LA&S 120](#). LEC.

**LA&S 240. Cherokee Language IV. 5 Hours U / F4.**

This course is a continuation of [LA&S 230](#), Cherokee Language III, and includes the study of grammar, with particular attention to speaking fluency and continued practice in reading and writing. Taught at Haskell Indian Nations University. Prerequisite: [LA&S 230](#). LEC.

**LA&S 250. Western Civilization I. 3 Hours H.**

The beliefs and values of Western civilization from the eighth century BC to the close of the eighteenth century are compared with the ideas central to American Indian cultural traditions. Fulfills the Western Civilization I requirement for CLAS. Taught at Haskell Indian Nations University. LEC.

**LA&S 252. Western Civilization II. 3 Hours H.**

The beliefs and values of Western Civilization since the close of the eighteenth century are compared with the ideas central to American Indian cultural traditions. Fulfills the Western Civilization II requirement for CLAS. Taught at Haskell Indian Nations University. LEC.

**LA&S 260. Interpersonal Management. 3 Hours U.**

This course is designed to provide students with an understanding of their personal strengths and skills that can be applied in a variety of organizational settings and in society. The course includes skills needed to be successful as a member of both professional and citizen communities, including ethical views, project management, financial management, technology, and information literacy. Prerequisite: This course is designed for students in the Military Transitions Program and currently enrolled veterans. Instructor consent required to enroll. LEC.

**LA&S 262. Workplace Success Skills. 3 Hours U.**

This course is designed to provide students with the skills and content they need to be successful professionals in a variety of organizational settings. The course includes professional communication skills along with an understanding of organizational culture and context. Prerequisite: This course is designed for students in the Military Transition Program and currently enrolled veterans. Instructor consent is required to enroll. LEC.

**LA&S 290. Approaches to Teaching Science and Mathematics I. 1 Hour U.**

Science and Mathematics students explore teaching as a career by teaching lessons in elementary classrooms in order to obtain first hand experience planning and implementing inquiry-based curriculum. This course is open to any student who has completed or is concurrently enrolled in a science or mathematics course at KU. LEC.

**LA&S 291. Approaches to Teaching Science and Mathematics II. 1 Hour U.**

Science and Mathematics students continue to explore secondary teaching as a possible career choice by teaching several lessons in a middle school classroom. The students build upon and practice lesson design skills that were developed in [LA&S 290](#), in which they taught in elementary classrooms. Prerequisite: [LA&S 290](#). LEC.

**LA&S 292. Topics and Problems on: \_\_\_\_\_. 1-6 Hours U.**

An interdisciplinary study of different topics. Designed especially for freshmen and sophomores. LEC.

**LA&S 295. Introduction to Secondary Stem Teaching. 2 Hours U.**

The UKanTeach program invites all students who have 45 hours toward their degree and have an interest in teaching secondary mathematics and/or science to take this two-hour UKanTeach course. Students learn quickly whether they are suited to the profession of teaching while also acquiring important communication skills. Through coursework and classroom experiences,, students teach four hands-on inquiry-based science/mathematics lessons in local elementary and middle school classrooms. Upon successful completion of this course, student are eligible for acceptance to the UKanTeach program as they complete their bachelors degree. This course is only offered in the summer semester. Prerequisites: Minimum of 45 hours toward a BA or a BS degree. LEC.

**LA&S 301. Learning Communities Seminar in: \_\_\_\_\_. 1-2 Hours U.**

This course is designed to expand student's knowledge of the University community by exploring an academic theme and the connections between courses. Through the study of different topics students will explore the inherent interdisciplinarity of fields of study. Designed especially for juniors and seniors. Enrollment is limited to students participating in designated learning community. Concurrent enrollment in specified learning community courses is required. May be repeated for credit up to 4 hours. LEC.

**LA&S 325. Career Transitions. 3 Hours U.**

This career development course studies the theories of career development and decision making focusing significantly on self-assessment and occupational research to help students make informed career decisions by better understanding themselves and the world of work in relationship to career transitions. In addition, students will learn valuable networking, personal branding, and job search tips. Prerequisite: This course is designed for students in the Military Transition Program and currently enrolled veterans. Instructor consent is required to enroll. LEC.

**LA&S 340. Computers for the Classroom. 1-3 Hours U.**

"The Art and Science of Computer Presentation." An inter-disciplinary course designed to explore current technology in "Computer Presentations" (various equipment and programs), research the field of information processing, and develop applications for interactive multi-media communications. Not open to students who have received credit for [LA&S 740](#). Prerequisite: Consent of instructor. LEC.

**LA&S 400. Teaching and Tutoring Writing. 3 Hours U.**

Students explore theories and strategies of teaching and tutoring writing across academic disciplines. They learn more about themselves as writers as they build a repertoire of writing techniques useful in their studies, in the workplace, and in their personal lives. By observing and consulting in the writing center, they understand how reflection leads to responsive, ethical, and engaged practice. (Same as [ENGL 400](#).) Prerequisite: [ENGL 102](#) or equivalent. LEC.

**LA&S 414. Ethnobiology. 5 Hours N.**

Integrates Native American traditional knowledge of ecology and biology with modern, western science. One purpose of the course is to preserve the unique knowledge and varied cultural traditions relating to the life

sciences that are possessed by indigenous people. Taught at Haskell Indian Nations University. Prerequisite: [BIOL 100](#) or [BIOL 150](#). LEC.

**LA&S 450. Topics at Haskell Indian Nations University: \_\_\_\_\_. 1-6 Hours.**

Special topics at the junior/senior undergraduate level. Taught at Haskell Indian Nations University. Special permission from the Provost's office required. LEC.

**LA&S 470. Job Search Skills for Liberal Arts and Sciences Majors. 1 Hour U.**

This course is designed to introduce students to the fundamentals of planning and organizing job search strategies. Emphasis is placed on practical application of employment search tools for post-graduation employment or graduate school admission, stressing the value of the arts and sciences degree in the labor market. LEC.

**LA&S 475. Professional Career Management. 3 Hours U.**

When envisioning the future, many students consider immediate post-graduation needs but may fail to consider future professional career management, life and career transitions, and career progression. This advanced career development course studies the theories of career development, organizational and industrial psychology, and human resources. Students learn theories from these areas and understand how to apply them to their own professional career, future career transitions, and lifelong career progression. LEC.

**LA&S 480. Preparing for International Careers. 1-3 Hours U.**

This course, delivered through an 8-week seminar and week-long study abroad experience, teaches the fundamentals of executing an international job search. The course is open only to participants admitted to the Preparing for International Careers study abroad program. Students must complete a study abroad application and be approved before enrolling in the course. LEC.

**LA&S 485. Global Career Management. 3 Hours U.**

This global career development course studies the theories of cross-cultural communication and analyzes the global economy to help students apply these concepts to their own lifelong career management. Furthermore, the course builds upon the international experiences students are having at KU and also allows any student to gain lifelong knowledge and skills to be successful in a global job search or career transition, by assisting them to articulate their skills and value through a cross-cultural perspective to potential employers. LEC.

**LA&S 490. Internship Exploration. 1-5 Hours AE61 / U.**

This course provides credit for supervised practical experiences in an occupational area of interest. In addition to the work-related activity, students complete reading and writing assignments, participate in an on-line discussion and create a final portfolio of internship accomplishments. Hours of credit recorded (1-5) are based on number of hours at internship site and agreement of instructor. Credit hours will be assigned a letter grade. Repeatable for up to 5 credit hours, provided the internship experiences are different. Prerequisite: Consent of Instructor. INT.

**LA&S 492. Topics and Problems on: \_\_\_\_\_. 1-6 Hours U.**

An interdisciplinary study of different topics. Topics include Sanskrit. Designed especially for Juniors and Seniors. LEC.

**LA&S 494. Senior Seminar in Liberal Arts and Sciences. 3 Hours AE61 / H.**

This course is a seminar to result in the student's integration of knowledge within the liberal arts and sciences. Through lecture and discussion, students explore a series of issues or themes that integrate several disciplines in the humanities, arts, social sciences, and mathematics and natural sciences. A final project (options include a portfolio, web page, paper, presentation) demonstrates the students' knowledge of the concepts, theories, and methods of several disciplines, and their ability to integrate that knowledge across disciplines. Not open to freshmen and sophomores; recommended in the senior year. Prerequisite: Completion of at least 30 junior/senior hours. LEC.

**LA&S 700. Writing Center Theory and Administration. 3 Hours.**

This course explores theories motivating writing center administration and practice. Students will investigate the multiple functions of writing centers, from writing labs associated with college composition instruction, to decentralized resources for writing faculty teaching writing across the disciplines, to elementary, secondary, and community support centers for writers, to online consultation services. Students will choose a special interest or problem, and, from an administrative perspective, design a research study and propose actions such as creating policy, developing curricula, designing materials, or conducting assessments. (Same as [ENGL 885](#).) Prerequisite: [LA&S 400](#), [ENGL 400](#), or consent of instructor. LEC.

**LA&S 710. Computer Assisted Language Learning. 1 Hour.**

An introduction to the use of computer-based technologies in language learning and teaching. A project-based approach will combine discussions of current research with hands-on technical training. Prerequisite: Consent of instructor LEC.

**LA&S 720. Introduction to Language Teaching Research. 3 Hours.**

An introductory study of topics in language teaching research with the focus on higher education contexts. Intended for graduate students in any area of specialization related to foreign language teaching and learning. Prerequisite: Consent of instructor. LEC.

**LA&S 740. Computers for the Classroom. 1-3 Hours.**

"The Art and Science of Computer Presentation." An inter-disciplinary course designed to explore current technology in "Computer Presentations" (various equipment and programs), research the field of information processing, and develop applications for interactive multi-media communications. Not open to students who have received credit for [LA&S 340](#). Prerequisite: Consent of instructor. LEC.

**LA&S 792. Topics in: \_\_\_\_\_. 1-3 Hours.**

An interdisciplinary study of a variety of topics from the Liberal Arts and Sciences. Usually intended for graduate students, but may also be taken by qualified upper level undergraduates. May be repeated for credit when topic differs. LEC.